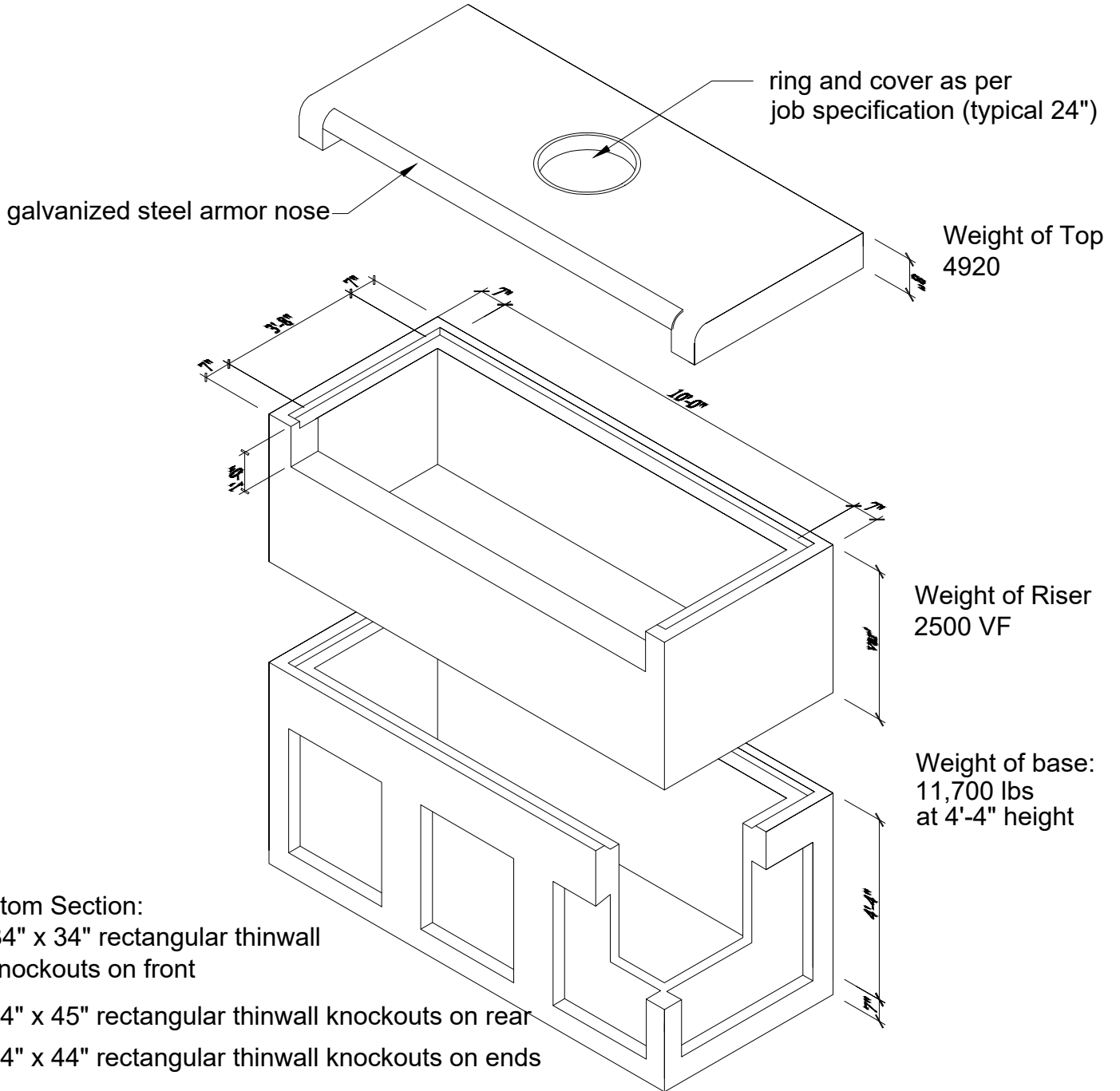




# 3'-8" x 10'-0" Type C-1 Curb Inlet



## Bottom Section:

- 34" x 34" rectangular thinwall knockouts on front
- 34" x 45" rectangular thinwall knockouts on rear
- 44" x 44" rectangular thinwall knockouts on ends
- Riser sections available
- Concrete has a 28 day strength of 5,000 psi
- Steel reinforcement is ASTM A615 grade 60
- Load design is H-20

 <p>Lone Star Precast 454 Kelly Smith Lane Buda, Texas 78610 Ph: 512.312.2121</p>	 <p>NPCA CERTIFIED PLANT</p>	3'-8" x 10'-0" Type C-1 Curb Inlet		
		PART NO	DWG NO	REV
DRAWN SKP	DATE 02/06/2023	SCALE 1 / 40	Dimensions Unit: inch	SHEET 1 OF 1